

Call for pricing on quantities over 500 - we carry major manufacturers.

IC Test Clip Series

- For temporary connections to DIP package components
- Heavy-duty spring loaded hinge provides positive contact
- 20 AWG insulated gold contacts • Color: white

22103



Part No.	Product No.	Description	1	10	25
22103	JTC16	16-pin (for 8, 14 and 16-pin ICs)	\$4.95	\$4.49	\$3.95
22120	JTC20	20-pin (for 18 and 20-pin ICs)	6.95	6.25	5.59
22162	JTC28	28-pin	8.95	7.95	6.49
22189	JTC40	40-pin	9.95	8.95	7.95

7400 Series Dual-In-Line Package

Part No.	Product No.	Pins	Description	1	10	100
48979	7400	14	Quad 2-input NAND gate	\$.59	\$.49	\$.45
49007	7401	14	Quad 2-input NAND gate (O.C.)	.49	.45	.39
49015	7402	14	Quad 2-input NOR gate	.59	.49	.45
49040	7404	14	Hex inverter	.59	.49	.45
49074	7405	14	Hex inverter (O.C.)	.29	.25	.22
49091	7406	14	Hex inverter buffer/driver (O.C.)	.45	.39	.35
49120	7407	14	Hex buffer/driver (O.C.)	.59	.49	.45
49146	7408	14	Quad 2-input AND gate	.59	.49	.45
49189	7410	14	Triple 3-input NAND gate	.25	.22	.15
49269	7411	14	Triple 3-input AND gate	3.95	3.59	3.25
49402	7413	14	Dual 4-input NAND gate Schmitt trigger	.29	.25	.19
49437	7414	14	Hex inverter Schmitt trigger	.45	.39	.35
49630	7416	14	Hex inverter buffer/driver (O.C.)	.25	.19	.10
49728	7417	14	Hex buffer/driver (O.C. hi-voltage)	.79	.69	.59
50008	7420	14	Dual 4-input NAND gate	.49	.45	.39
50024	7421	14	Dual 4-input AND gate	2.95	2.75	2.49
50083	7425	14	Dual 4-input NOR gate with strobe	1.09	.99	.89
50139	7427	14	Triple 3-input NOR gate	.49	.45	.39
50198	7428	14	Quad 2-input NOR buffer	.39	.35	.25
50227	7430	14	8-input NAND gate	.25	.22	.12
50235	7432	14	Quad 2-input OR gate	.59	.49	.45
50315	7438	14	Quad 2-input NAND buffer (O.C.)	.35	.29	.25
50358	7440	14	Dual 4-input NAND buffer	.13	.11	.09
50374	7442	16	BCD-to-decimal decoder	.89	.79	.69
50403	7445	16	BCD-to-decimal decoder/driver (30V)	.99	.89	.79
50411	7446	16	BCD-to-7 segment decoder/driver (30V)	1.29	1.19	1.09
50420	7447	16	BCD-to-7 segment decoder/driver (15V)	1.09	.99	.89
50518	7470	14	Edge-triggered JK flip-flop	.49	.45	.35
50526	7472	14	AND gated JK master/slave flip-flop	.49	.45	.35
50534	7473	14	Dual JK flip-flop with clear	.99	.89	.79
50551	7474	14	Dual D flip-flop	.45	.39	.29
50577	7475	16	4-bit bi-stable latch	2.95	2.75	2.49
50593	7476	16	Dual JK flip-flop with preset and clear	1.19	1.09	.99
50631	7483	16	4-bit binary full adder	.89	.79	.69
50657	7485	16	4-bit magnitude comp.	.39	.29	.22
50665	7486	14	Quad EXCLUSIVE-OR gate	.79	.69	.59
50681	7489	16	64-bit RAM P 50ns	2.95	2.75	2.49
50690	7490	14	Decade counter	.89	.79	.69
50737	7492	14	Divide-by-12 counter	1.19	1.09	.89
50745	7493	14	4-bit binary counter	1.29	1.19	1.09
50770	7495	14	4-bit parallel-access shift register (K155N)	.69	.59	.39
50788	7496	16	5-bit parallel-in, parallel-out shift register	.49	.39	.29
50796	7497	16	Synch. 6-bit binary rate multipliers	3.49	3.29	2.95
49234	74107	14	Dual JK flip-flop with clear	.39	.35	.25
49251	74109	16	Dual positive edge triggered JK flip-flop	.37	.34	.31
49293	74116	24	Dual 4-bit latches with clear	.99	.89	.79
49322	74121	14	Monostable multivibrator	.99	.89	.79
49349	74122	14	Retriggerable mono. multivibrator with clear	.69	.59	.45
49357	74123	16	Dual retriggerable mono. multivibrator	.89	.79	.69
49373	74125	14	Quad bus buffer tri-state (DM8093N)	.99	.89	.79
49381	74126	14	Quad bus buffer tri-state (DM8094N)	.79	.69	.59
49411	74132	14	Quad 2-input NAND Schmitt trigger	.69	.59	.35
49496	74148	16	8 to 3 line octal priority encoder	.89	.79	.69
49509	74150	24	16 to 1 line multiplexer	1.95	1.75	1.55
49525	74151	16	8-input multiplexer	.29	.25	.15
49550	74153	16	Dual 4/1 data selector/multiplexer	.25	.22	.15
49568	74154	24	4 to 16 line decoder/demultiplexer	2.25	1.95	1.75
49605	74157	16	Quad 2/1 data selector	.39	.35	.29

7400 Series (Continued) Dual-In-Line Package

Part No.	Product No.	Pins	Description	1	10	100
49648	74160	16	Decade counter with asynch. clear	\$.35	\$.29	\$.19
49664	74161	16	Synchronous 4-bit counter	.39	.35	.25
49672	74163	16	Synchronous 4-bit counter	.29	.22	.12
49681	74164	14	8-bit serial shift register	.35	.29	.25
49699	74165	16	8-bit serial shift register, parallel load	.49	.45	.29
49779	74174	16	Hex D-type flip-flop with clear	.49	.45	.35
49795	74175	16	Quad D-type flip-flop with clear	.49	.45	.35
49824	74179	16	4-bit parallel-access shift register	.13	.11	.09
49832	74180	14	9-bit odd/even parity generator/checker	.25	.23	.21
49841	74181	24	Arithmetic logic unit/function generator	1.95	1.75	1.55
49883	74189	16	64-bit RAM tri-state (DM8599N)	3.59	3.25	2.95
49904	74191	16	Binary up/down counter	.99	.89	.79
49912	74192	16	Decade up/down counter with clear	3.95	3.59	3.25
49939	74193	16	Binary up/down counter with clear	1.39	1.19	1.09
49955	74194	16	4-bit bi-directional shift register	1.25	.99	.79
49963	74195	16	4-bit parallel-access shift register	.13	.11	.09
50041	74221	16	Dual mono. multiv. Schmitt trigger	.15	.13	.11
50104	74259	16	8-bit addressable latch (9334)	.15	.13	.12
50171	74279	16	Quad set-reset latch	.39	.35	.29
50286	74367	16	Hex buffer tri-state (DM8097N)	.13	.11	.09
88225	SDL001A	—	Texas Instruments TTL Data Book	34.95	31.49	29.95

Part No. Description **See page 62 for details** \$160 Value

84953	360 pc. 7400 series IC cabinet kit	\$129.95	\$116.95
-------	------------------------------------	----------	----------

74C00 Series Dual-In-Line Package

Part No.	Product No.	Pins	Description	1	10
44222	74C00	14	Quad 2-input NAND gate	\$.49	\$.39
63538	74C02	14	Quad 2-input NOR gate	.24	.22
44231	74C04	14	Hex inverter (CD4069)	.39	.35
44257	74C14	14	Hex inverter Schmitt trigger (CD40106)	.39	.35
44441	74C74	14	Dual D flip-flop	1.29	1.19
44329	74C174	16	Hex flip-flop (CD40174/MC14174BPC)	.19	.15
44345	74C193	16	Binary up/down counter w/ clear (40193)	1.49	1.29
44361	74C221	16	Dual monostable multivibrator	3.95	3.59
13469	74C367	16	Hex buffer tri-state (80C97/CD4503)	.49	.45
44396	74C373	20	Octal D-type flip-flop with clear tri-state	3.95	3.59
44409	74C374	20	Octal D flip-flop tri-state (INS82C06N)	1.49	1.25
44564	74C922	18	16-key keyboard encoder (INS8245N)	6.95	6.25
44572	74C923	20	20-key keyboard encoder (INS8246N)	6.95	6.25
44581	74C925	16	4-digit CTR with MUX D segment driver	6.95	5.95
44599	74C926	18	4-digit CTR with MUX D segment driver	7.95	6.95

74LS00 Series Dual-In-Line Package

Part No.	Product No.	Pins	Description	1	10	100
46252	74LS00	14	Quad 2-input NAND gate	\$.25	\$.19	\$.15
46287	74LS02	14	Quad 2-input NOR gate	.25	.19	.17
46308	74LS03	14	Quad 2-input NAND gate (O.C.)	.25	.19	.17
46316	74LS04	14	Hex inverter	.29	.25	.19
46341	74LS05	14	Hex inverter (O.C.)	.29	.25	.19
46359	74LS06	14	Hex inverter buffer/driver (O.C.)	.49	.45	.39
46367	74LS07	14	Hex buffer/driver (O.C. hi-voltage)	.89	.79	.69
46375	74LS08	14	Quad 2-input AND gate	.29	.25	.19
46391	74LS09	14	Quad 2-input AND gate (O.C.)	.25	.19	.15
46404	74LS10	14	Triple 3-input NAND gate	.29	.25	.19
46439	74LS11	14	Triple 3-input AND gate	.29	.25	.19
46640	74LS14	14	Hex inverter Schmitt trigger	.25	.19	.17
47095	74LS20	14	Dual 4-input NAND gate	.25	.19	.17
47108	74LS21	14	Dual 4-input AND gate	.25	.19	.17
47378	74LS27	14	Triple 3-input NOR gate	.25	.19	.17
47458	74LS30	14	8-input NAND gate	.25	.19	.17
47466	74LS32	14	Quad 2-input OR gate	.25	.19	.17
47597	74LS37	14	Quad 2-input NAND buffer	.39	.35	.29
47693	74LS38	14	Quad 2-input NAND buffer (O.C.)	.29	.25	.15
47773	74LS42	16	BCD-to-decimal decoder	.69	.59	.49
47790	74LS47	16	BCD to 7-seg. decoder/driver (O.C.)	.89	.79	.69
47811	74LS48	16	BCD to 7-seg. decoder/driver	4.95	4.49	3.95

DM74LS00 Quad 2-Input NAND Gates

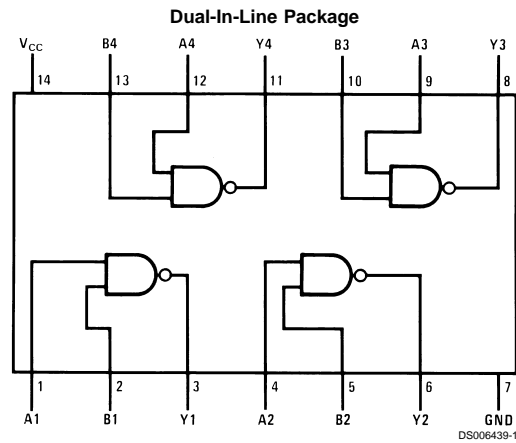
General Description

This device contains four independent gates each of which performs the logic NAND function.

Features

- Alternate Military/Aerospace device (54LS00) is available. Contact a Fairchild Semiconductor Sales Office/Distributor for specifications.

Connection Diagram



Order Number 54LS00DMQB, 54LS00FMQB, 54LS00LMQB, DM54LS00J, DM54LS00W, DM74LS00M or DM74LS00N
See Package Number E20A, J14A, M14A, N14A or W14B

Function Table

$$Y = \overline{AB}$$

Inputs		Output
A	B	Y
L	L	H
L	H	H
H	L	H
H	H	L

H = High Logic Level
L = Low Logic Level

DM74LS02 Quad 2-Input NOR Gates

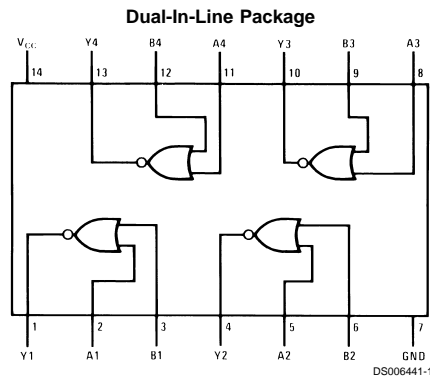
General Description

This device contains four independent gates each of which performs the logic NOR function.

Features

- Alternate Military/Aerospace device (54LS02) is available. Contact a Fairchild Semiconductor Sales Office/Distributor for specifications

Connection Diagram



Order Number 54LS02DMQB, 54LS02FMQB, 54LS02LMQB, DM54LS02J, DM54LS02W,
DM74LS02M or DM74LS02N
See Package Number E20A, J14A, M14A, N14A or W14B

Function Table

$$Y = \overline{A + B}$$

Inputs		Output
A	B	Y
L	L	H
L	H	L
H	L	L
H	H	L

H = High Logic Level
L = Low Logic Level

DM74LS04 Hex Inverting Gates

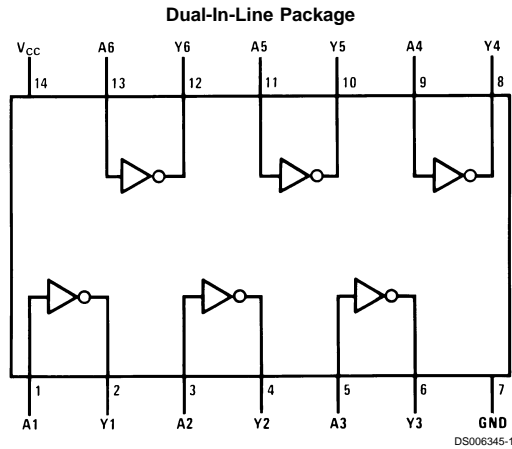
General Description

This device contains six independent gates each of which performs the logic INVERT function.

Features

- Alternate Military/Aerospace device (54LS04) is available. Contact a Fairchild Semiconductor Sales Office/Distributor for specifications.

Connection Diagram



Order Number 54LS04DMQB, 54LS04FMQB, 54LS04LMQB, DM54LS04J, DM54LS04W, DM74LS04M or DM74LS04N
See Package Number E20A, J14A, M14A, N14A or W14B

Function Table

$$Y = \bar{A}$$

Input	Output
A	Y
L	H
H	L

H = High Logic Level
L = Low Logic Level

DM74LS08 Quad 2-Input AND Gates

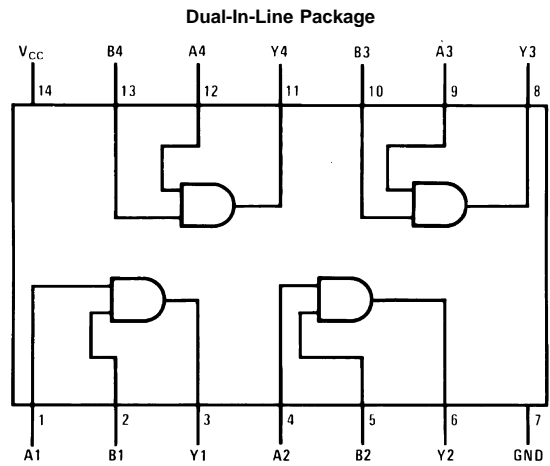
General Description

This device contains four independent gates each of which performs the logic AND function.

Features

- Alternate Military/Aerospace device (54LS08) is available. Contact a Fairchild Semiconductor Sales Office/Distributor for specifications.

Connection Diagram



Order Number 54LS08DMQB, 54LS08FMQB, 54LS08LMQB, DM54LS08J, DM54LS08W, DM74LS08M or DM74LS08N
See NS Package Number E20A, J14A, M14A, N14A or W14B

Function Table

$$Y = AB$$

Inputs		Output
A	B	Y
L	L	L
L	H	L
H	L	L
H	H	H

H = High Logic Level
L = Low Logic Level

DM74LS32 Quad 2-Input OR Gates

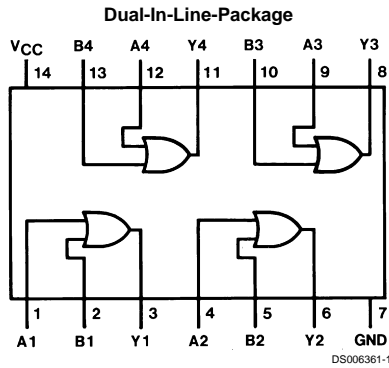
General Description

This device contains four independent gates each of which performs the logic OR function.

Features

- Alternate Military/Aerospace device (54LS32) is available. Contact a Fairchild Semiconductor Sales Office/Distributor for specifications.

Connection Diagram



Order Number 54LS32DMQB, 54LS32FMQB, 54LS32LMQB,
DM54LS32J, DM54LS32W, DM74LS32M or DM74LS32N
See Package Number E20A, J14A, M14A, N14A or W14B

Function Table

$$Y = A + B$$

Inputs		Output
A	B	Y
L	L	L
L	H	H
H	L	H
H	H	H

H = High Logic Level
L = Low Logic Level